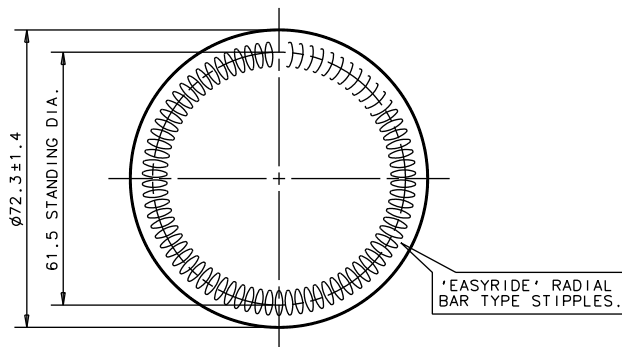
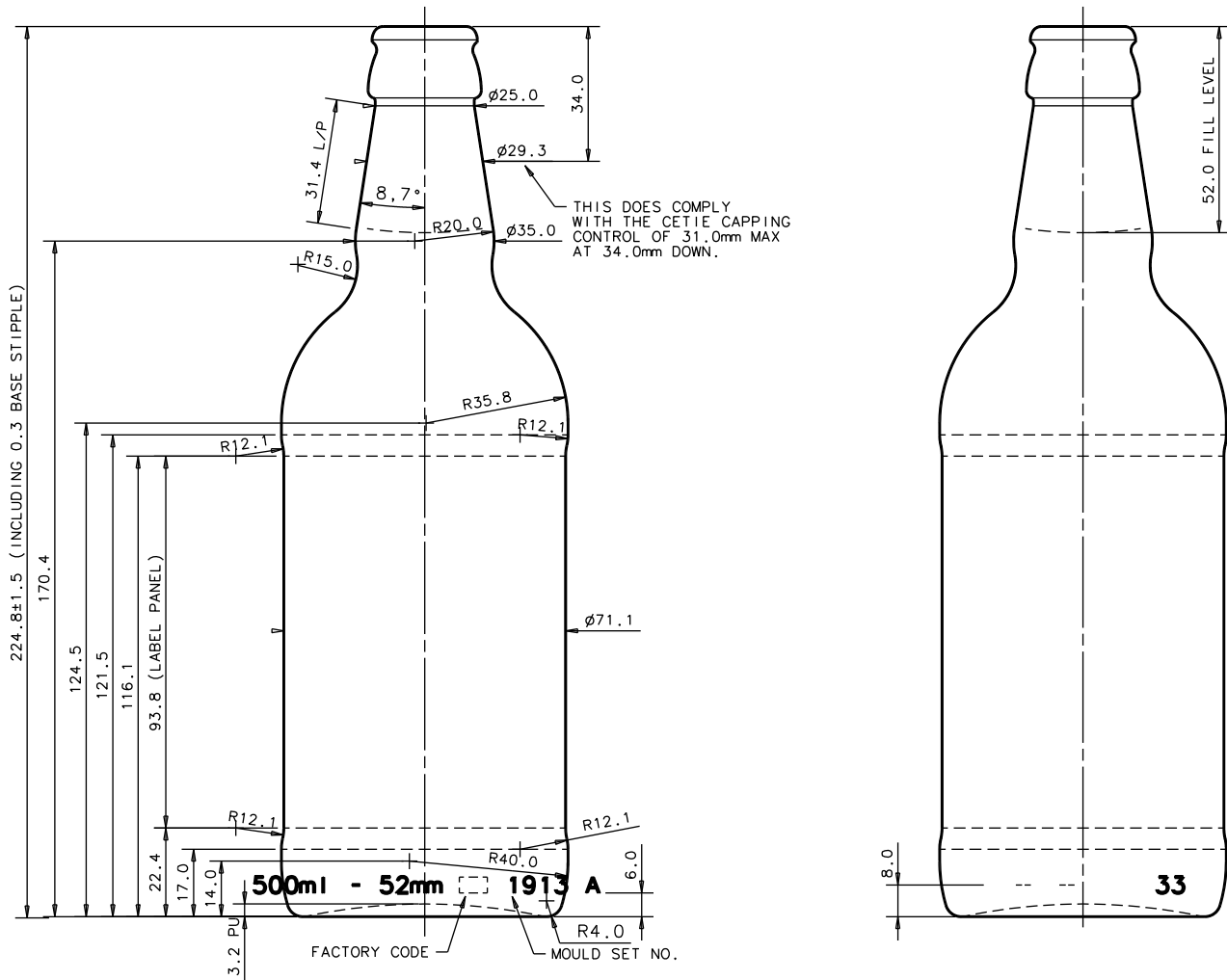


500ml Bottle Specifications



DESCRIPTION:	500ml AMC Beer		ITEM CODE:	CREN1913	
COLOUR:	Amber, Flint (Green by minimum production)		WEIGHT:	290g	
NOMINAL CAPACITY:	500ml	BRIMFUL CAPACITY:	520 ± 5 ml	CLOSURE:	26mm CETIE Crown
PASTEURISATION:	YES	TYPE:	TUNNEL	THERMAL SHOCK:	YES
HEIGHT:	224.8 ± 1.5 mm	DIAMETER:	72.3 ± 1.4 mm	FILL HEIGHT:	52mm
LABEL PANEL:	93.8mm	CARBONATION:	3.0bar	VACUITY:	20ml 4.0%
PALLET HEIGHT:	1.300m	PALLET WEIGHT:	388kg	UNITS PER PALLET:	1,235
DRAWING CHECKED:	DRAFT	DATE CHECKED:	24-FEB-2017	DRAWING REF:	1913-A-25

All measurements are approximate unless tolerances stated, then are in accordance with ISO9058:2008, E&OE Excepted.
Clients should run trials and check physical samples prior to any full scale production.

QF015 Iss 005 01/07/2016