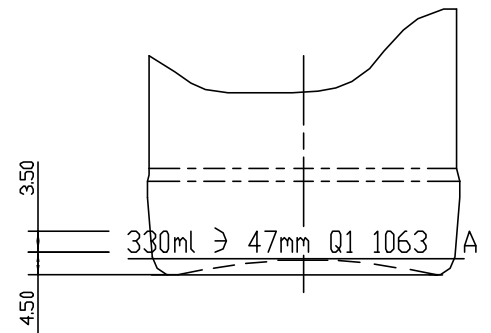
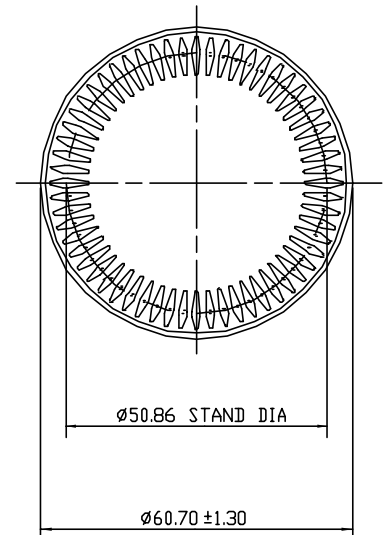
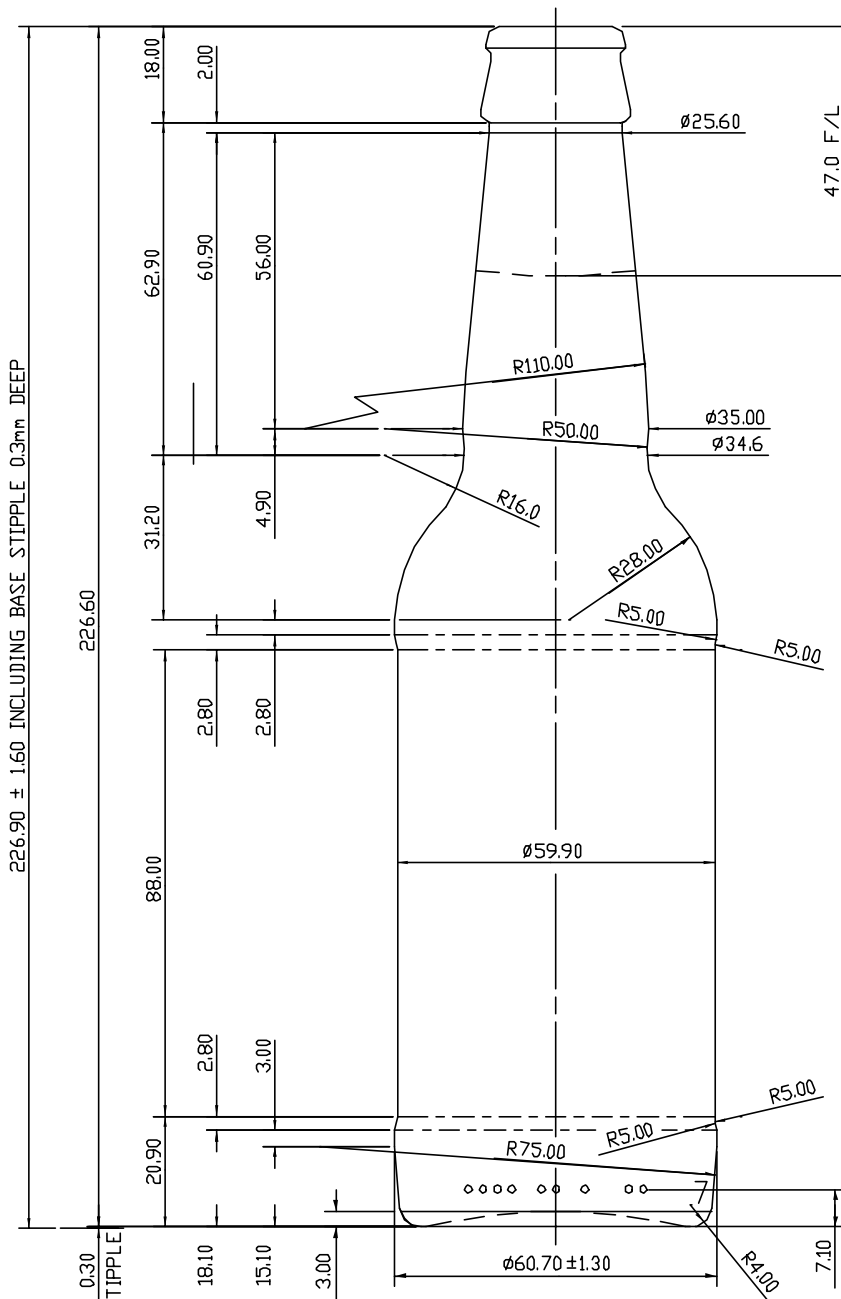


330ml Bottle Specification



DRAWING SUBJECT TO TRIAL & APPROVAL

DESCRIPTION:	330ml Beer		ITEM CODE:	CREN1063-E-20	
COLOUR:	Amber, Flint (Green by minimum production)		WEIGHT:	218g	
NOMINAL CAPACITY:	330ml	BRIMFUL CAPACITY:	346.5 ± 6.6ml	CLOSURE:	26mm Crown
PASTEURISATION:		TYPE:		THERMAL SHOCK:	YES
HEIGHT:	226.90 ± 1.60mm	DIAMETER:	60.70 ± 1.30mm	FILL HEIGHT:	47mm
LABEL PANEL:	88mm	CARBONATION:	3.0bar	VACUITY:	16.5ml
PALLET HEIGHT:	1.310m	PALLET WEIGHT:	430kg	UNITS PER PALLET:	1,805 - 5 Layers
DRAWING CHECKED:	DRAFT	DATE CHECKED:	24--2017	DRAWING REF:	1063-E-20

All measurements are approximate unless tolerances stated, then are in accordance with ISO9058:2008, E&OE Excepted.
Clients should run trials and check physical samples prior to any full scale production.

QF015 Iss 005 01/07/2016