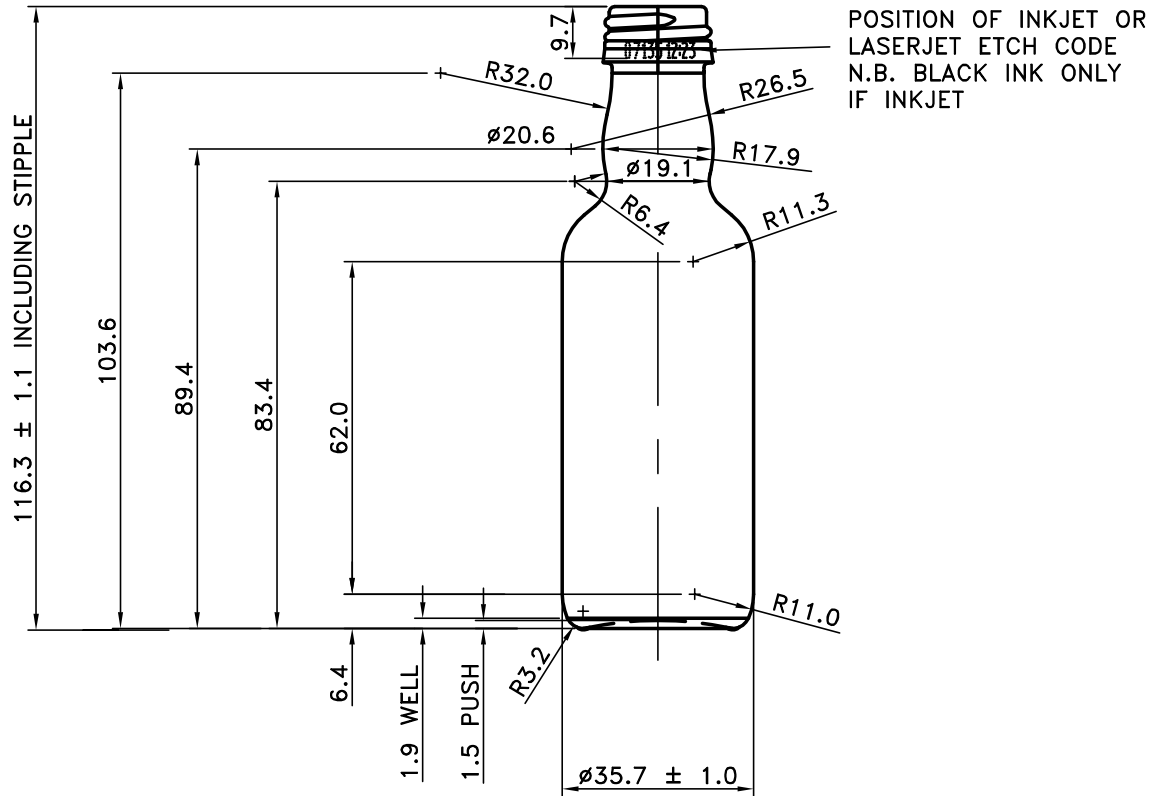
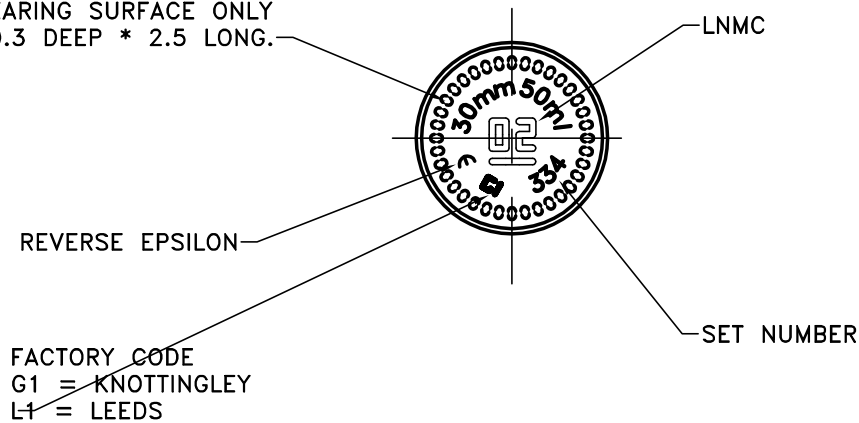


# 5cl glass bottle

MINIMUM THROUGH BORE  $\phi 10.5$



ONE ROW OF BAR STIPPLE ON BEARING SURFACE ONLY  
0.3 DEEP \* 2.5 LONG.



REVISIONS	6
5	
4	
3	INKJET CODE NOTE UPDATED TO INCLUDE LASER ETCH MD 29.1.15
2	GN REDRAWN ON CAD LNMC ADDED
1	24.4.89 BJPC REDESIGNED TO CUSTOMER REQUEST

<b>STIPULATED USE</b>	<b>MAX. INT. PRESSURE</b>	NIL	<b>THERMAL SHOCK</b>	NIL	<b>VERTICAL LOAD</b>	2000N	<b>REFILLABLE</b>	NO
<b>APPROX GLASS WEIGHT</b>	81	g	<b>GLASS COLOUR</b>	WHITE FLINT	<b>FINISH</b>	20mm SHALLOW ROPP	<b>THIS DESIGN REMAINS THE PROPERTY OF ALLIED GLASS CONTAINERS Ltd. AND SHOULD NOT BE COPIED IN PART OR WHOLE WITHOUT PRIOR WRITTEN AGREEMENT</b>	
<b>CAPACITY AT FILL LINE</b>	50.0	ml	<b>CAPACITY BRIMFULL</b>	54.3	ml	<b>SPEC.</b>	<b>BRITISH GLASS TOLERANCES APPLIED.</b>	
<b>CAPACITY TOLERANCE</b>	±	ml	<b>M.C.</b>	+ OR -	1.9	ml	<b>RING NECK <math>\phi</math></b>	17.1
<b>FILL BELOW TOP</b>	30	mm	<b>VACUITY TO BRIM (EXCLUDING FITMENT OR CORC)</b>	4.3ml	8.6%	<b>RING REF.</b>	2015	
<b>SPECIFICATION No.</b>	11639		<b>PROPOSAL No.</b>			<b>COATING/COLOUR</b>	NO	
<b>CONTAINER</b>	50ml LIQUOR (BARREL NECK)		<b>MOULD No</b>	334		<b>DRAWN</b>	BJPC	<b>CHECKED</b> AM
						<b>DATE</b>	6.2.89	<b>SHEET 1 OF 1</b>
						<b>COMPUTER CODE</b>	334-2015	