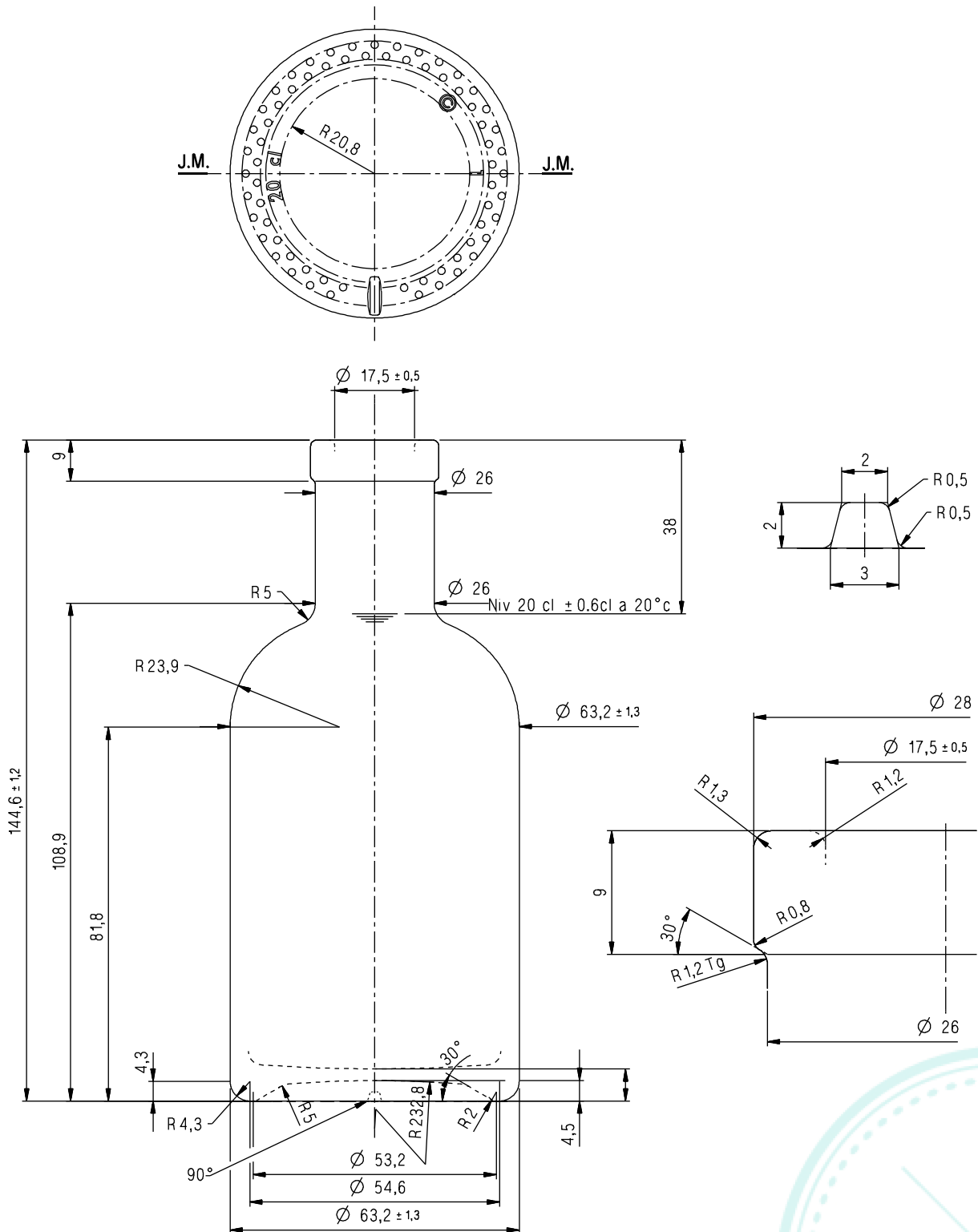


200ml OSLO Bottle



DESCRIPTION:	200ml Oslo		ITEM CODE:	CRSA8306	
COLOUR:	Flint		WEIGHT:	280g	
NOMINAL CAPACITY:	200ml	BRIMFUL CAPACITY:	210ml \pm	CLOSURE:	Cork Mouth
PASTEURISATION:		TYPE:		THERMAL SHOCK:	
HEIGHT:	144.6 \pm 1.2mm	DIAMETER:	63.2 \pm 1.3mm	FILL HEIGHT:	38mm
LABEL PANEL:		CARBONATION:		VACUITY:	10ml
PALLET HEIGHT:	2.000m	PALLET WEIGHT:	948kg	UNITS PER PALLET:	3,240
DRAWING CHECKED:	DRAFT	DATE CHECKED:	24-Oct-2016	DRAWING REF:	3019

All measurements are approximate unless tolerances stated, then are in accordance with ISO9058:2008, E&OE Excepted.
 Clients should run trials and check physical samples prior to any full scale production.

QF015 Iss 005 01/07/2016