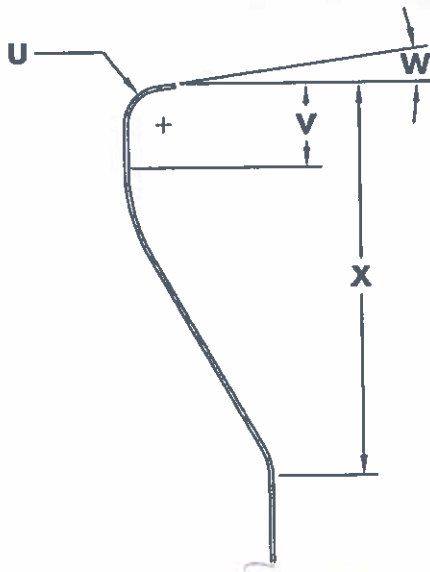
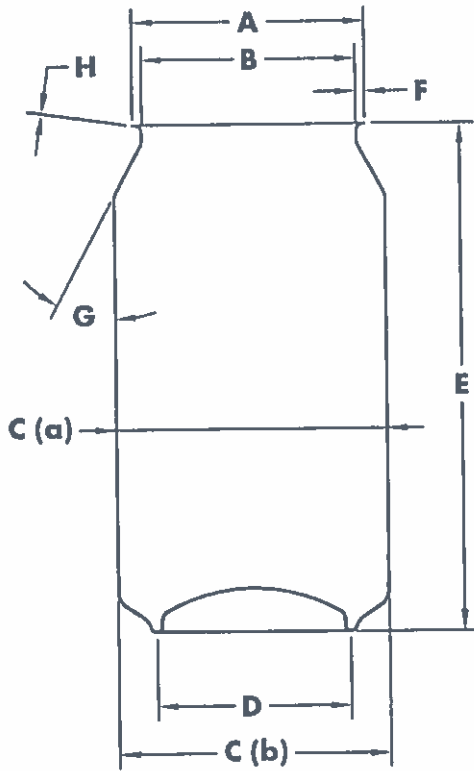




Ball Corporation
Beverage Packaging
Europe

PRODUCT DATA SHEET



PRODUCT DESCRIPTION

**52 X 66 (202 / 211)
440ML ALUMINIUM 202 NECK
202 BASE - 3LB-21f**

ALL DIMENSIONS ARE IN MILLIMETRES AND ARE REFERENCE UNLESS STATED OTHERWISE.

A	Flange Diameter	57.5 MAX
B	Plug Diameter	52.40 +/- 0.30
C	Body Diameter (a)	66.2 MAX
C	Bottom Body Diameter (b)	66.5 MAX
D	Stand Diameter	47.34 REF
E	Open Can Height	149.90 +/- 0.30
F	Flange Width	2.13 +/- 0.25
G	Neck Angle	30°
U	Flange Radius	1.65 REF
V	Neck Seaming Clearance	3.0 MIN
W	Flange Angle	0 - 12°
X	Shoulder Height	17.2 REF
H	Flange Thickness <i>(To be used in Seam Calculations)</i>	0.175

- Brimful **475ml**
- Freeboard **14.0mm NOMINAL**
- Axial Load **800N MIN**
- Dome reversal **620kPa MIN**

Manufacturing Plants: **MKEY**

Approved By:
Sector Quality Manager Europe

PDS Number:

C206

Revision

3

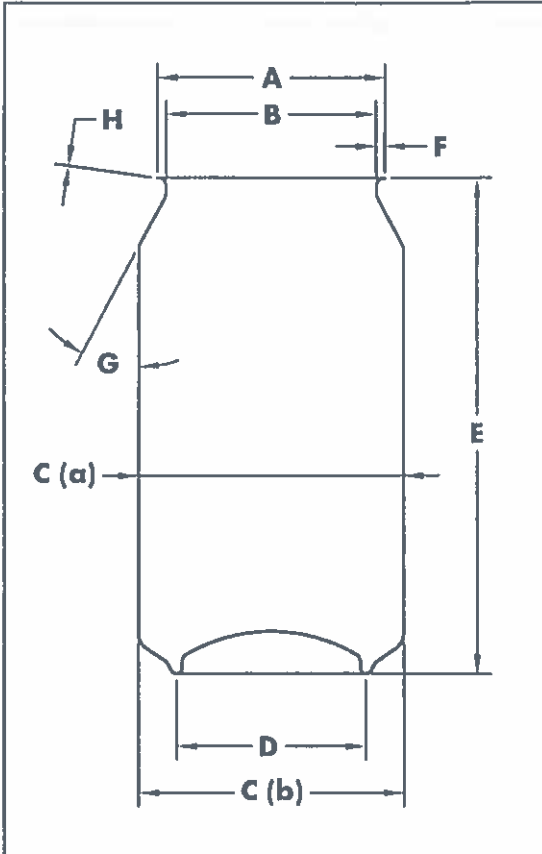
Date

15/02/17



Ball Corporation
Beverage Packaging
Europe

PRODUCT DATA SHEET

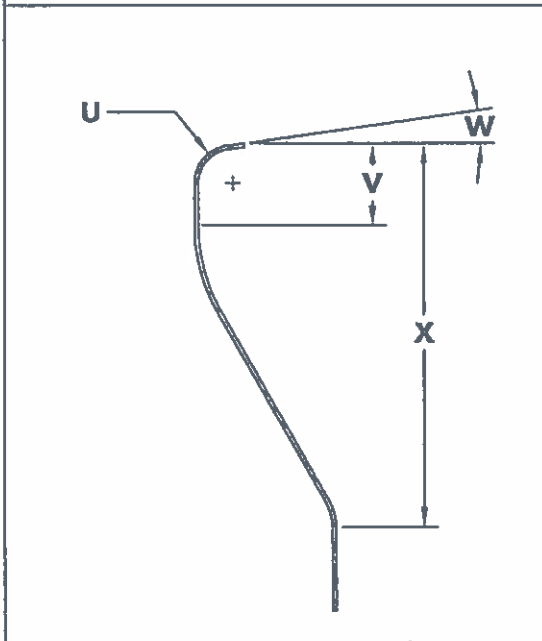


PRODUCT DESCRIPTION

52 X 66 (202 / 211)
330ML ALUMINIUM 202 NECK
202 BASE - 3LB21f

ALL DIMENSIONS ARE IN MILLIMETRES AND ARE REFERENCE UNLESS STATED OTHERWISE.

A	Flange Diameter	57.5 MAX
B	Plug Diameter	52.40 +/- 0.30
C	Body Diameter (a)	66.3 MAX
C	Bottom Body Diameter (b)	66.6 MAX
D	Stand Diameter	47.34 REF
E	Open Can Height	115.20 +/- 0.30
F	Flange Width	2.13 +/- 0.25
G	Neck Angle	30°
U	Flange Radius	1.65 REF
V	Neck Seaming Clearance	3.0 MIN
W	Flange Angle	0 - 12°
X	Shoulder Height	17.2 REF
H	Flange Thickness <i>(To be used in Seam Calculations)</i>	0.175



● Brimful	359ml
● Freeboard	12.2mm NOMINAL
● Axial Load	800N MIN
● Dome reversal	620kPa MIN

Manufacturing Plants: **MKEY, WAKE, NOGR.**

Approved By:
Sector Quality Manager Europe

PDS Number:

Revision

Date

C171

4

16/01/17