

CONTAINER & MOULD ENGINEERING

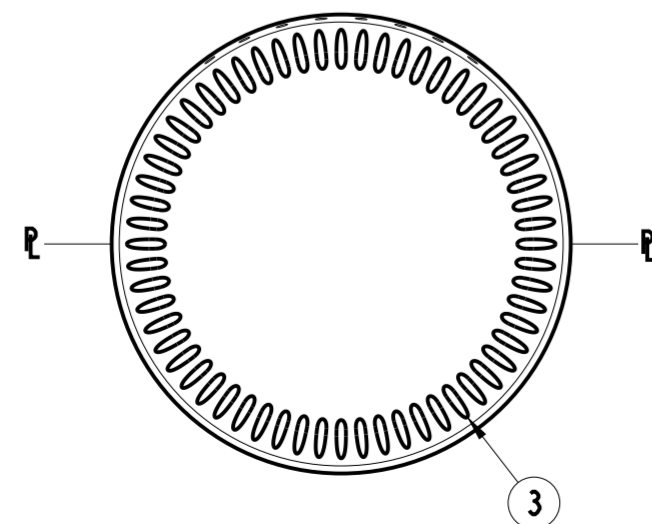
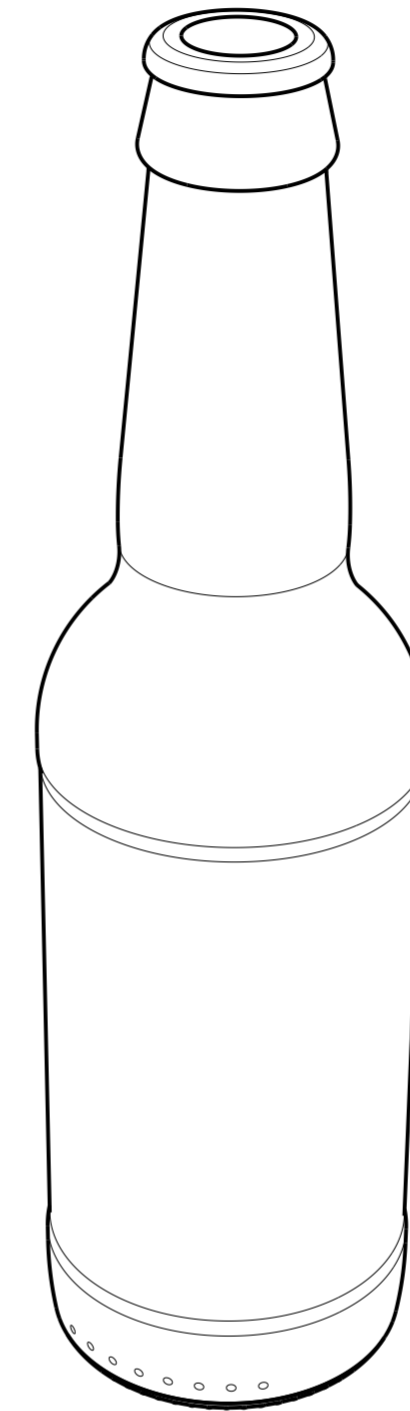
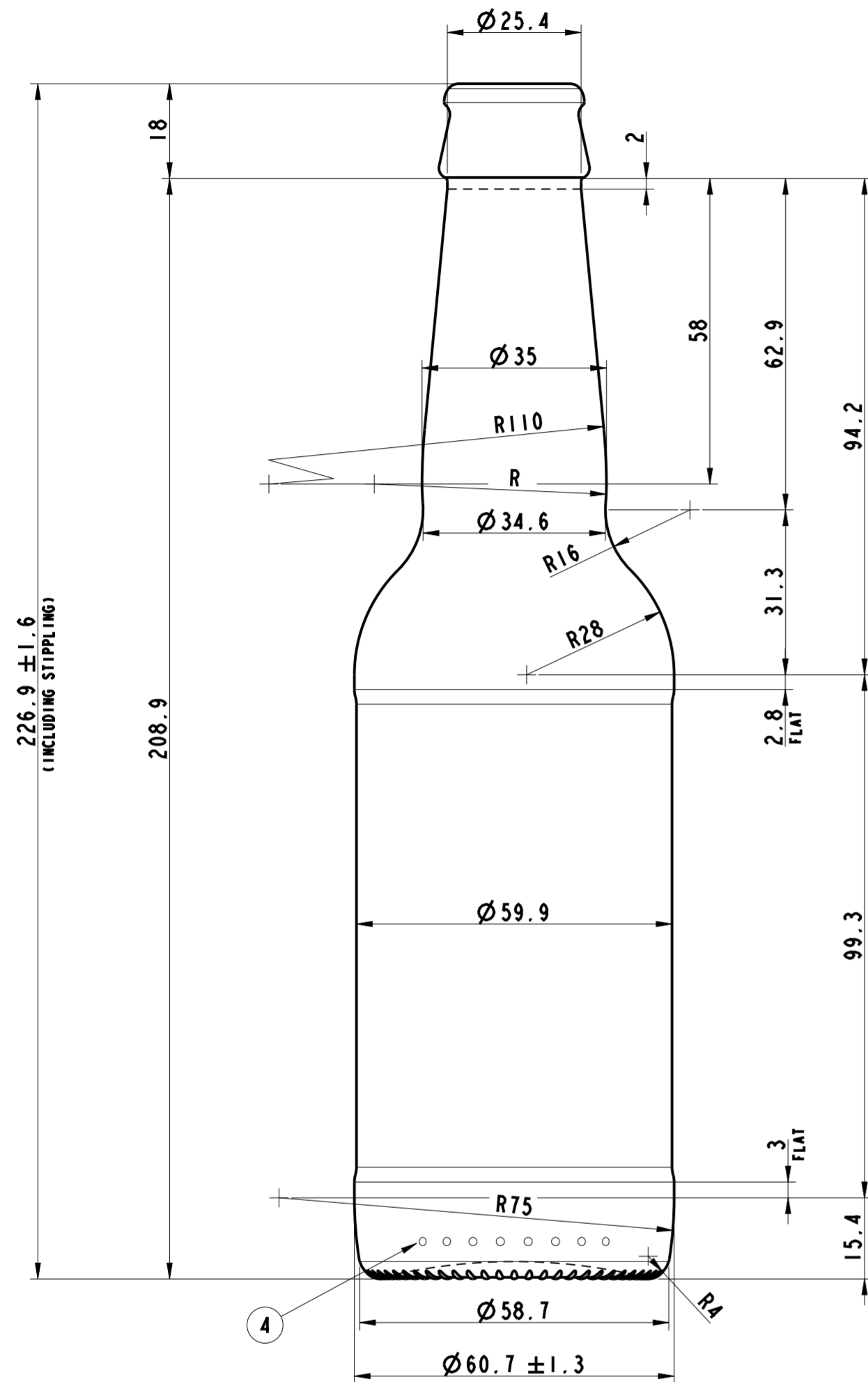
EUROPE

NOTES:
THIS DRAWING IS THE PROPERTY OF O-I AND
MUST NOT BE REPRODUCED OR DISCLOSED
WITHOUT O-I WRITTEN AUTHORIZATION.

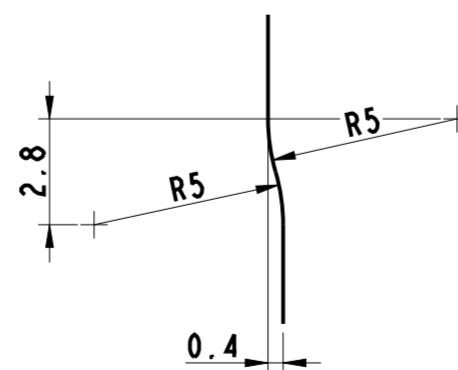
ONLY TOLERANCED DIMENSIONS ARE GUARANTEED.

MANUFACTURING MARKINGS SHOWN ARE FOR ILLUSTRATIVE
PURPOSES ONLY, ACTUAL MARKINGS ON CONTAINER
MAY DIFFER, DEPENDANT ON LOCAL LEGISLATION.

SEE BGMC TEC 4 FOR TOLERANCE INTERPRETATION.
SEE BGMC TEC 7 FOR CARBONATED BEVERAGES.
HEAT TREATMENT REFERS TO THERMAL PROCESSES OTHER
THAN NORMAL WASHING.
SUBJECT TO INK JET OR LASER CODING BY O-I UNLESS
ADVISED TO THE CONTRARY.



ENLARGED DETAIL OF LABEL
PANEL TRANSITION



NNPB ITEM

HEAT TREATMENT YES	DO NOT SCALE
VERTICAL LOAD 3000N	VACUITY 5.0%
CATEGORY BEER	TILT ANGLE 17 72
MAX. VERTICALITY TOLERANCE	MEASURING CONTAINER YES ± 6.6ml
FINISH SAP NUMBER 0183	FINISH REF. UGO 1672
MINIMUM THROUGH BORE 16.0mm	MAX FILLING TUBE
CONTAINER OVERFLOW CAPACITY (BRIMFUL) 346.5ml APPROX	
CONTAINER RATED CAPACITY (FILLPOINT) 330ml ± 5ml	
CONTAINER WEIGHT 218g APPROX	
FINISH DESIGNATION UK_26_SPECIAL_H180_0183	MAX GAS VOLUME 3.0
PROCESS RETURNABLE NO	DESIGN REF. BA857

STANDARD ITEM
330ml ROUND NR CIDER BOTTLE

1 : TRADEMARK
2 : CAVITY No.
3 : STIPPLING
THE SHAPE OF STIPPLES IS ONLY AN
INDICATION AND THE CONSTRUCTION IS AT
THE PRODUCTION PLANT DISCRETION.
4 : CAVITY CODE

SCALE 1:1

No	DATE	REVISIONS	DESIGN/CHECK
7	16/12/14	O-1 SYMBOL REMOVED FROM PUSH-UP.	DS/LH
6	09/06/14	O-1 SYMBOL ADDED TO PUSH-UP.	DS/LH
5	10/07/12	DRAWING NUMBER WAS BU022-4, UPDATED AND RE-DRAWN.	DS/LH
4	20/08/98	NECK DIAMETER DIMENSION ADDED.	RJB/DR

DESIGNER	RJB	DATE	15/02/95
CHECKED	DR	DATE	15/02/95
DRAWING NUMBER 120367	MOULD/SAP NUMBER 001049		